



KFA58YHM

EN User Manual | **Hob**

2

DE Benutzerinformation | **Kochfeld**

13



Welcome to AEG! Thank you for choosing our appliance.



Get usage advice, brochures, troubleshooting, service and repair information:
www.aeg.com/support

Subject to change without notice.

CONTENTS

1. SAFETY INFORMATION.....	2
2. SAFETY INSTRUCTIONS.....	4
3. INSTALLATION.....	6
4. PRODUCT DESCRIPTION.....	8
5. DAILY USE.....	8
6. HINTS AND TIPS.....	8
7. CARE AND CLEANING.....	9
8. TROUBLESHOOTING.....	9
9. TECHNICAL DATA.....	10
10. ENERGY EFFICIENCY.....	10
11. GUARANTEE.....	11
12. ENVIRONMENTAL CONCERNS.....	12

1. ⚠ SAFETY INFORMATION

Before the installation and use of the appliance, carefully read the supplied instructions. The manufacturer is not responsible for any injuries or damage that are the result of incorrect installation or usage. Always keep the instructions in a safe and accessible location for future reference.

1.1 Children and vulnerable people safety

- This appliance can be used by children aged from 8 years and above and persons with reduced physical, sensory or mental capabilities or lack of experience and knowledge if they have been given supervision or instruction concerning the use of the appliance in a safe way and understand the hazards involved. Children of less than 8 years of age and persons with very extensive and complex disabilities shall be kept away from the appliance unless continuously supervised.

- Children should be supervised to ensure that they do not play with the appliance.
- Keep all packaging away from children and dispose of it appropriately.
- **WARNING:** The appliance and its accessible parts become hot during use. Keep children and pets away from the appliance when in use and when cooling down.
- If the appliance has a child safety device, it should be activated.
- Children shall not carry out cleaning and user maintenance of the appliance without supervision.

1.2 General Safety

- This appliance is for cooking purposes only.
- This appliance is designed for single household domestic use in an indoor environment.
- This appliance may be used in offices, hotel guest rooms, bed & breakfast guest rooms, farm guest houses and other similar accommodation where such use does not exceed (average) domestic usage levels.
- **WARNING:** The appliance and its accessible parts become hot during use. Care should be taken to avoid touching heating elements.
- **WARNING:** Unattended cooking on a hob with fat or oil can be dangerous and may result in fire.
- Smoke is an indication of overheating. Never use water to extinguish the cooking fire. Switch off the appliance and cover flames with e.g. a fire blanket or lid.
- **WARNING:** The appliance must not be supplied through an external switching device, such as a timer, or connected to a circuit that is regularly switched on and off by a utility.
- **CAUTION:** The cooking process has to be supervised. A short term cooking process has to be supervised continuously.
- **WARNING:** Danger of fire: Do not store items on the cooking surfaces.

- Metallic objects such as knives, forks, spoons and lids should not be placed on the hob surface since they can get hot.
- Do not use the appliance before installing it in the built-in structure.
- Do not use water spray and steam to clean the appliance.
- **WARNING:** If the surface is cracked, switch off the appliance to avoid the possibility of electric shock. In case the appliance is connected to the mains directly using junction box, remove the fuse to disconnect the appliance from power supply. In either case contact the Authorised Service Centre.
- If the supply cord is damaged, it must be replaced by the manufacturer, an authorized Service or similarly qualified persons in order to avoid a hazard.
- **WARNING:** Use only hob guards designed by the manufacturer of the cooking appliance or indicated by the manufacturer of the appliance in the instructions for use as suitable or hob guards incorporated in the appliance. The use of inappropriate guards can cause accidents.

2. SAFETY INSTRUCTIONS

2.1 Installation

 **WARNING!**

Only a qualified person must install this appliance.

 **WARNING!**

Risk of injury or damage to the appliance.

- Remove all the packaging.
- Do not install or use a damaged appliance.
- Follow the installation instructions supplied with the appliance.
- Keep the minimum distance from other appliances and units.
- Always take care when moving the appliance as it is heavy. Always use safety gloves and enclosed footwear.
- Seal the cut surfaces of the cabinet with a sealant to prevent moisture from causing swelling.
- Protect the bottom of the appliance from steam and moisture.
- Do not install the appliance next to a door or under a window. This prevents hot cookware from falling from the appliance when the door or the window is opened.
- If the appliance is installed above drawers make sure that the space, between the bottom of the appliance and the upper drawer is sufficient for air circulation.
- The bottom of the appliance can get hot. Make sure to install a separation panel made from plywood, kitchen carcass material or other non-flammable materials under the appliance to prevent access to the bottom.

- The separation panel has to cover the area under the hob completely.

2.2 Electrical connection

WARNING!

Risk of fire and electric shock.

- All electrical connections should be made by a qualified electrician.
- The appliance must be earthed.
- Before connecting the hob to an oven and before every wiring make sure the main terminals of both appliances are not live.
- Make sure that the parameters on the rating plate are compatible with the electrical ratings of the mains power supply.
- Make sure the appliance is installed correctly. Loose and incorrect electricity mains cable or plug (if applicable) can make the terminal become too hot.
- Use the correct electricity mains cable.
- Do not let the electricity mains cable tangle.
- Make sure that a shock protection is installed.
- Use the strain relief clamp on the cable.
- Make sure the mains cable or plug (if applicable) does not touch the hot appliance or hot cookware, when you connect the appliance to a socket.
- Do not use multi-plug adapters and extension cables.
- Make sure not to cause damage to the mains plug (if applicable) or to the mains cable. Contact our Authorised Service Centre or an electrician to change a damaged mains cable.
- The shock protection of live and insulated parts must be fastened in such a way that it cannot be removed without tools.
- Connect the mains plug to the mains socket only at the end of the installation. Make sure that there is access to the mains plug after the installation.
- If the mains socket is loose, do not connect the mains plug.
- Do not pull the mains cable to disconnect the appliance. Always pull the mains plug.
- Use only correct isolation devices: line protecting cut-outs, fuses (screw type

fuses removed from the holder), earth leakage trips and contactors.

- The electrical installation must have an isolation device which lets you disconnect the appliance from the mains at all poles. The isolation device must have a contact opening width of minimum 3 mm.

2.3 Use

WARNING!

Risk of injury, burns and electric shock.

- Do not change the specification of this appliance.
- Remove all the packaging, labelling and protective film (if applicable) before first use.
- Make sure that the ventilation openings are not blocked.
- Do not let the appliance stay unattended during operation.
- Set the cooking zone to “off” after each use.
- Do not put cutlery or saucepan lids on the cooking zones. They can become hot.
- Do not operate the appliance with wet hands or when it comes in contact with water.
- Do not use the appliance as work surface and do not place food in direct contact with it.
- Do not use the appliance as a direct cooking surface. Cooking must always be performed by using appropriate cookware.
- If the surface of the appliance is cracked, disconnect immediately the appliance from the power supply to prevent the electric shock.
- When you place food into hot oil, it may splash.
- Do not use aluminum foil or other materials between the cooking surface and the cookware, unless otherwise specified by the manufacturer of this appliance.
- Use only accessories recommended for this appliance by the manufacturer.

WARNING!

Risk of fire and explosion.

- Fats and oils when heated can release flammable vapours. Keep flames or heated objects away from fats and oils when you cook with them.
- The vapours that hot oil releases can cause spontaneous combustion.
- Used oil, that can contain food remnants, can cause fire at a lower temperature than oil used for the first time.
- Do not put flammable products or items moistened with flammable products in, near or on the appliance.

⚠ WARNING!
Risk of damage to the appliance.

- Do not keep hot cookware on the control panel to avoid the risk of burns.
- Do not put a hot pan cover on the glass surface of the hob.
- Do not let cookware boil dry.
- Be careful not to let objects or cookware fall on the appliance. The surface can be damaged.
- Do not activate the cooking zones with empty cookware or without cookware.
- Cookware made of cast iron, aluminium or with a damaged bottom can cause scratches on the glass / glass ceramic. Always lift these objects up when you have to move them on the cooking surface.

2.4 Care and cleaning

- Clean the appliance regularly to prevent the deterioration of the surface material.

- Switch off the appliance and let it cool down before cleaning.
- Clean the appliance with a moist soft cloth. Use only neutral detergents. Do not use abrasive products, abrasive cleaning pads, solvents or metal objects, unless otherwise specified.

2.5 Service

- To repair the appliance contact the Authorised Service Centre. Use original spare parts only.
- Concerning the lamp(s) inside this product and spare part lamps sold separately: These lamps are intended to withstand extreme physical conditions in household appliances, such as temperature, vibration, humidity, or are intended to signal information about the operational status of the appliance. They are not intended to be used in other applications and are not suitable for household room illumination.

2.6 Disposal

⚠ WARNING!
Risk of injury or suffocation.

- Contact your local authority for information on how to dispose of the appliance.
- Disconnect the appliance from the mains supply.
- Cut off the mains electrical cable close to the appliance and dispose of it.

3. INSTALLATION

⚠ WARNING!
Refer to Safety chapters.

3.1 Hob and oven connection type

This appliance has an orange 1x14 pole connector and can be connected to an oven with an orange 1x14 pole connector.

3.2 Before the installation

Before you install the hob, write down the information below from the rating plate. The rating plate is on the bottom of the hob.

Serial number

3.3 Built-in hobs

First install the oven then the hob in its cutout.

Only use the built-in hobs after you assemble the hob into correct built-in units and work surfaces that align to the standards.

During installation in combustible matter, NIN SEV 1000 and fire protection guidelines and regulations of the Association of Cantonal Fire Insurance shall be strictly adhered to.

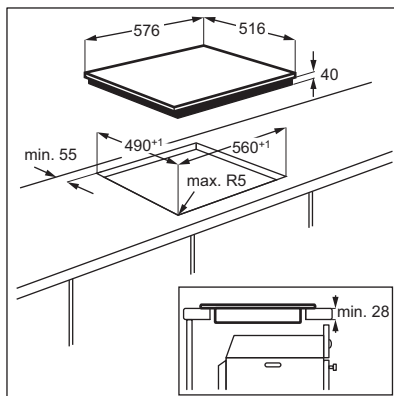
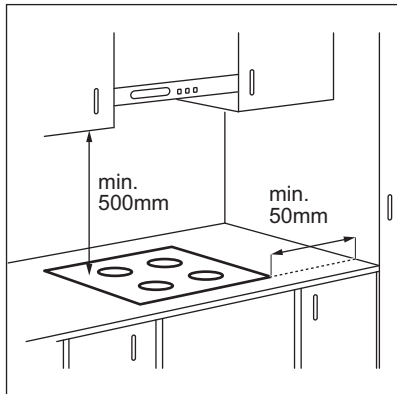
3.4 Electrical connection

Install the hob with a socket supply line. If there is no socket supply line, the fixed home electrical system must include an isolating device with at least a 3 mm-contact separation to enable a simultaneous and all-pole cut off from the mains (according to NIN SEV 1000).

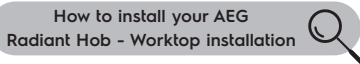
3.5 Assembly

Handle the appliance carefully during installation to avoid bending or damaging the frame.

If you install the hob under a hood, please see the installation instructions of the hood for the minimum distance between the appliances.

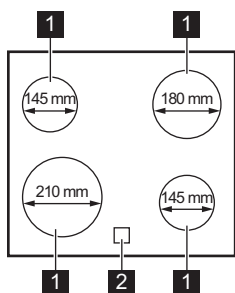


Find the video tutorial "How to install your AEG Radiant Hob - Worktop installation" by typing out the full name indicated in the graphic below.



4. PRODUCT DESCRIPTION

4.1 Cooking surface layout



- 1 Cooking zone
- 2 Residual heat indicator

5. DAILY USE

⚠ WARNING!

Refer to Safety chapters.

5.1 Operating the hob

You operate the hob with the knobs of the oven. Refer to "Daily use" in the oven user manual.

5.2 Residual heat indicator

⚠ WARNING!

As long as the indicator is visible, there is a risk of burns from residual heat.

The indicator appears when a cooking zone is hot, but it does not function if mains power is disconnected.

The indicator may also appear:

- for the neighbouring cooking zones even if you are not using them,
- when hot cookware is placed on cold cooking zone,
- when the hob is deactivated but the cooking zone is still hot.

The indicator disappears when the cooking zone has cooled down.

6. HINTS AND TIPS

⚠ WARNING!

Refer to Safety chapters.

6.1 Cookware

- To prevent overheating and improve the performance of the zones, the cookware must be as thick and flat as possible.
- Ensure cookware bases are clean and dry before placing on the hob surface.

- Always be careful not to slide or rub the cookware on the edges and corners of the glass as it may chip or damage the glass surface.



Cookware made of enamelled steel and with aluminium or copper bottoms can cause a colour change on the glass-ceramic surface.

7. CARE AND CLEANING

WARNING!

Refer to Safety chapters.

7.1 General information

- Clean the hob after each use.
- Always use cookware with a clean base.
- Scratches or dark stains on the surface have no effect on how the hob operates.
- Use a special cleaning agent suitable for the surface of the hob.
- Always use a scraper recommended for hobs with a glass surface. Use the scraper only as an additional tool for cleaning the glass after the standard cleaning procedure.

WARNING!

Do not use knives or any other sharp, metal tools to clean the glass surface.

7.2 Cleaning the hob

- **Remove immediately:** melted plastic, plastic foil, salt, sugar and food with sugar, otherwise, the dirt can cause damage to the hob. Take care to avoid burns. Use a special hob scraper on the glass surface at an acute angle and move the blade on the surface.
- **Remove when the hob is sufficiently cool:** limescale rings, water rings, fat stains, shiny metallic discoloration. Clean the hob with a moist cloth and a non-abrasive detergent. After cleaning, wipe the hob dry with a soft cloth.
- **Remove shiny metallic discoloration:** use a solution of water with vinegar and clean the glass surface with a cloth.

8. TROUBLESHOOTING

WARNING!

Refer to Safety chapters.

8.1 What to do if...

Problem	Possible cause	Remedy
You cannot activate or operate the hob.	The fuse is blown.	Make sure that the fuse is the cause of the malfunction. If the fuse is blown again and again, contact a qualified electrician.
Residual heat indicator does not come on.	The zone is not hot because it operated only for a short time or the sensor is damaged.	If the zone operated sufficiently long to be hot, speak to an Authorised Service Centre.

8.2 If you cannot find a solution...

If you cannot find a solution to the problem yourself, contact your dealer or an Authorised Service Centre. Give the data from the rating plate. Make sure, you operated the hob correctly. If not the servicing by a service

technician or dealer will not be free of charge, also during the warranty period. The information about guarantee period and Authorised Service Centres are in the service book.

9. TECHNICAL DATA

9.1 Rating plate

Model KFA58YHM
Typ 60 AAD 02 ZO

Ser.Nr.
AEG

PNC 949 598 653 00
220 - 240 V, 50 - 60 Hz
Made in: Germany
6.5 kW



9.2 Cooking zones specification

Cooking zone	Nominal Power (Max heat setting) [W]	Cooking zone diameter [mm]
Left front	2300	210
Left rear	1200	145
Right front	1200	145
Right rear	1800	180

For optimal cooking results use cookware no larger than the diameter of the cooking zone.

10. ENERGY EFFICIENCY

10.1 Product Information according to EU Ecodesign Regulation

Model identification	KFA58YHM	
Type of hob	Built-In Hob	
Number of cooking zones	4	
Heating technology	Radiant Heater	
Diameter of circular cooking zones (Ø)	Left front	21.0 cm
	Left rear	14.5 cm
	Right front	14.5 cm
	Right rear	18.0 cm
Energy consumption per cooking zone (EC electric cooking)	Left front	185.8 Wh/kg
	Left rear	185.8 Wh/kg
	Right front	185.8 Wh/kg
	Right rear	191.2 Wh/kg
Energy consumption of the hob (EC electric hob)	187.2 Wh/kg	

IEC / EN 60350-2 - Household electric cooking appliances - Part 2: Hobs - Methods for measuring performance.

10.2 Energy saving

You can save energy during everyday cooking if you follow the hints below.

- When you heat up water, use only the amount you need.
- If it is possible, always put the lids on the cookware.
- Before you activate the cooking zone put the cookware on it.
- The cookware bottom should have the same diameter as the cooking zone.
- Put the smaller cookware on the smaller cooking zones.
- Put the cookware directly in the centre of the cooking zone.
- Use the residual heat to keep the food warm or to melt it.

10.3 Product Information for power consumption and maximum time to reach applicable low power mode

Power consumption in off mode	0.3 W
Maximum time needed for the equipment to automatically reach the applicable low power mode	2 min

11. GUARANTEE

Customer Service Centres

Point of Service		
Industriestrasse 10 5506 Mägenwil	Le Trési 6 1028 Préverenges	Via Violino 11 6928 Manno
Morgenstrasse 131 3018 Bern		
Langgasse 10 9008 St. Gallen		
Am Mattenhof 4a/b 6010 Kriens		
Schlossstrasse 1 4133 Pratteln		
Comercialstrasse 19 7000 Chur		





Spare parts service Industriestrasse 10, 5506 Mägenwil, Tel. 0848 848 111

Specialist advice/Sale Buckhauserstrasse 40, 8048 Zürich, Tel. 044 405 82 44

Warranty For each product we provide a two-year guarantee from the date of purchase or delivery to the consumer (with a guarantee certificate, invoice or sales receipt serving as

proof). The guarantee covers the costs of materials, labour and travel. The guarantee will lapse if the operating instructions and conditions of use are not adhered to, if the product is incorrectly installed, or in the event of damage caused by external influences, force majeure, intervention by third parties or the use of non-genuine components.

12. ENVIRONMENTAL CONCERNS

Recycle materials with the symbol . Put the packaging in relevant containers to recycle it. Help protect the environment and human health by recycling waste of electrical and electronic appliances. Do not dispose of appliances marked with the symbol  with the household waste. Return the product to your local recycling facility or contact your municipal office.



For Switzerland:

Where should you take your old equipment?

Anywhere that sells new equipment or hand it in to official SENS collection points or official SENS recycling firms.

The list of official SENS collection points can be found at www.erecycling.ch

Willkommen bei AEG! Danke, dass Sie sich für unser Gerät entschieden haben.



Anwendungshinweise, Prospekte, Informationen zu Fehlerbehebung, Service und Reparatur erhalten Sie hier:
www.aeg.com/support

Änderungen vorbehalten.

INHALTSVERZEICHNIS

1. SICHERHEITSHINWEISE.....	13
2. SICHERHEITSANWEISUNGEN.....	16
3. MONTAGE.....	18
4. GERÄTEBESCHREIBUNG.....	19
5. TÄGLICHER GEBRAUCH.....	20
6. HINWEISE UND TIPPS.....	20
7. REINIGUNG UND PFLEGE.....	20
8. FEHLERBEHEBUNG.....	21
9. TECHNISCHE DATEN.....	21
10. ENERGIEEFFIZIENZ.....	22
11. GARANTIE.....	23
12. UMWELTBELANGE.....	23

1. ⚠ SICHERHEITSHINWEISE

Lesen Sie vor der Montage und dem Gebrauch des Geräts zuerst die Bedienungsanleitung. Bei Verletzungen oder Schäden infolge nicht ordnungsgemäßer Montage oder Verwendung übernimmt der Hersteller keine Haftung. Bewahren Sie die Anleitung zum Nachschlagen an einem sicheren und zugänglichen Ort auf.

1.1 Sicherheit von Kindern und schutzbedürftigen Personen

- Das Gerät kann von Kindern ab 8 Jahren und Personen mit eingeschränkten physischen, sensorischen oder geistigen Fähigkeiten oder mit mangelnder Erfahrung/mangelndem Wissen benutzt werden, wenn sie durch eine für ihre Sicherheit zuständige Person beaufsichtigt werden oder von dieser Person Anweisungen erhalten haben, wie das Gerät sicher zu bedienen ist und welche Gefahren bei nicht

ordnungsgemäßer Bedienung bestehen. Kinder unter 8 Jahren und Personen mit schweren Behinderungen oder Mehrfachbehinderung sollten vom Gerät ferngehalten werden, wenn sie nicht ständig beaufsichtigt werden.

- Kinder sollten beaufsichtigt werden, um sicherzustellen, dass sie nicht mit dem Gerät.
- Halten Sie sämtliches Verpackungsmaterial von Kindern fern und entsorgen Sie es ordnungsgemäß.
- **WARNUNG:** Das Gerät und die zugänglichen Geräteteile werden während des Betriebs heiß. Halten Sie Kinder und Haustiere von dem Gerät fern, wenn es in Betrieb oder in der Abkühlphase ist.
- Falls Ihr Gerät mit einer Kindersicherung ausgestattet ist, empfehlen wir, diese einzuschalten.
- Kinder dürfen keine Reinigung und Wartung des Geräts ohne Beaufsichtigung durchführen.

1.2 Allgemeine Sicherheit

- Dieses Gerät ist nur zum Kochen bestimmt.
- Dieses Gerät ist nur für den häuslichen Gebrauch im Haushalt in Innenräumen konzipiert.
- Dieses Gerät darf in Büros, Hotelzimmern, Gästezimmern in Pensionen, Bauernhöfen und anderen ähnlichen Unterkünften verwendet werden, wenn diese Nutzung das (durchschnittliche) Nutzungsniveau im Haushalt nicht überschreitet.
- **WARNUNG:** Das Gerät und die zugänglichen Geräteteile werden während des Betriebs heiß. Seien Sie vorsichtig und berühren Sie niemals die Heizelemente.
- **WARNUNG:** Kochen mit Fett oder Öl auf einem unbeaufsichtigten Kochfeld ist gefährlich und kann ggf. zu einem Brand führen.
- Rauch ist ein Hinweis auf Überhitzung. Verwenden Sie niemals Wasser, um das Kochfeuer zu löschen. Schalten Sie das Gerät aus und löschen Sie Flammen beispielsweise mit einer Löschdecke oder einem Deckel.

- **WARNUNG:** Das Gerät darf nicht durch ein externes Schaltgerät, wie eine Zeitschaltuhr, mit Strom versorgt oder an einen Schaltkreis angeschlossen werden, der von einem Programm regelmäßig ein- und ausgeschaltet wird.
- **VORSICHT:** Der Garvorgang muss überwacht werden. Ein kurzer Garvorgang muss kontinuierlich überwacht werden.
- **WARNUNG:** Brandgefahr: Lagern Sie keine Gegenstände auf den Kochflächen.
- Metallische Gegenstände wie Messer, Gabeln, Löffel und Deckel sollten nicht auf die Oberfläche des Kochfelds gelegt werden, da diese heiß werden können.
- Verwenden Sie das Gerät nicht, bevor es in den Einbauschränk gesetzt wird.
- Reinigen Sie das Gerät nicht mit Wasserspray oder Dampf.
- **WARNUNG:** Falls die Oberfläche einen Sprung hat, schalten Sie das Gerät aus, um die Gefahr eines Stromschlags zu vermeiden. Falls das Gerät direkt mit dem Stromnetz verbunden ist und nicht getrennt werden kann, nehmen Sie die Sicherung für den Anschluss heraus, um die Stromversorgung zu unterbrechen. Verständigen Sie in jedem Fall das autorisierte Servicezentrum.
- Wenn das Netzkabel beschädigt ist, muss es vom Hersteller, einem autorisierten Kundendienst oder einer ähnlich qualifizierten Person zur Vermeidung einer Gefahrenquelle ersetzt werden.
- **WARNUNG:** Verwenden Sie nur Schutzabdeckungen des Herstellers des Kochgeräts, von ihm in der Bedienungsanleitung als geeignet empfohlene Schutzabdeckungen oder die im Gerät enthaltene Schutzabdeckung. Es besteht Unfallgefahr durch die Verwendung ungeeigneter Schutzabdeckungen.

2. SICHERHEITSANWEISUNGEN

2.1 Montage

WARNUNG!

Nur eine qualifizierte Fachkraft darf die Montage des Geräts vornehmen.

WARNUNG!

Andernfalls besteht Verletzungsgefahr und das Gerät könnte beschädigt werden.

- Entfernen Sie das gesamte Verpackungsmaterial.
- Montieren Sie ein beschädigtes Gerät nicht und benutzen Sie es nicht.
- Halten Sie sich an die mitgelieferte Montageanleitung.
- Die Mindestabstände zu anderen Geräten und Küchenmöbeln sind einzuhalten.
- Seien Sie beim Umsetzen des Gerätes vorsichtig, da es sehr schwer ist. Tragen Sie stets Sicherheitshandschuhe und festes Schuhwerk.
- Dichten Sie die Ausschnittskanten des Schanks mit einem Dichtungsmittel ab, um ein Aufquellen durch Feuchtigkeit zu verhindern.
- Schützen Sie die Geräteunterseite vor Dampf und Feuchtigkeit.
- Installieren Sie das Gerät nicht direkt neben einer Tür oder unter einem Fenster. So kann heißes Kochgeschirr nicht herunterfallen, wenn die Tür oder das Fenster geöffnet wird.
- Wird das Gerät über Schubladen eingebaut, achten Sie darauf, dass zwischen dem Geräteboden und der oberen Schublade ein ausreichender Abstand für die Luftzirkulation vorhanden ist.
- Der Boden des Geräts kann heiß werden. Achten Sie darauf eine feuerfeste Trennplatte aus Sperrholz, Küchenmöbelmaterial oder einem anderen nicht entflammaren Material unter dem Gerät anzubringen, damit der Boden nicht zugänglich ist.
- Die Trennplatte muss den gesamten Bereich unter dem Kochfeld abdecken.

2.2 Elektrischer Anschluss

WARNUNG!

Brand- und Stromschlaggefahr.

- Alle elektrischen Anschlüsse sollten von einer qualifizierten Elektrofachkraft vorgenommen werden.
- Das Gerät muss geerdet aufgedruckt ist.
- Stellen Sie vor dem Anschluss des Kochfeldes an den Backofen und vor den anderen Anschlüssen sicher, dass die Anschlussklemmen der beiden Geräte nicht an die Spannungsversorgung angeschlossen sind.
- Stellen Sie sicher, dass die Daten auf dem Typenschild mit den elektrischen Nennwerten der Netzspannung übereinstimmen.
- Vergewissern Sie sich, dass das Gerät ordnungsgemäß installiert ist. Lockere und unsachgemäße Stromnetzkabel oder Stecker (falls vorhanden) können die Klemme überhitzen.
- Verwenden Sie das richtige Stromnetzkabel.
- Achten Sie darauf, dass sich das Stromnetzkabel nicht verheddert.
- Stellen Sie sicher, dass ein Überspannungsschutz installiert ist.
- Verwenden Sie die Klemme für die Zugentlastung am Kabel.
- Stellen Sie beim Anschluss des Gerätesteckers an eine Steckdose sicher, dass das Netzkabel oder ggf. der Netzstecker nicht mit dem heißen Gerät oder heißem Kochgeschirr in Berührung kommt.
- Verwenden Sie keine Mehrfachsteckdosen oder Verlängerungskabel.
- Achten Sie darauf, den Netzstecker (falls zutreffend) oder das Netzkabel nicht zu beschädigen. Wenden Sie sich zum Austausch eines beschädigten Netzkabels an unser autorisiertes Servicezentrum oder eine Elektrofachkraft.
- Alle Teile, die gegen direktes Berühren schützen, sowie die isolierten Teile müssen so befestigt werden, dass sie

nicht ohne Werkzeug entfernt werden können.

- Stecken Sie den Netzstecker erst nach Abschluss der Montage in die Steckdose. Stellen Sie sicher, dass der Netzstecker nach der Montage noch zugänglich ist.
- Falls die Steckdose lose ist, schließen Sie den Netzstecker nicht an.
- Ziehen Sie nicht am Netzkabel, wenn Sie das Gerät von der Stromversorgung trennen möchten. Ziehen Sie stets am Netzstecker.
- Verwenden Sie nur geeignete Trenneinrichtungen: Überlastschalter, Sicherungen (Schraubsicherungen müssen aus dem Halter entfernt werden können), Fehlerstromschutzschalter und Schütze.
- Die elektrische Installation muss eine Trenneinrichtung aufweisen, mit der Sie das Gerät allpolig von der Stromversorgung trennen können. Die Trenneinrichtung muss mit einer Kontaktöffnungsbreite von mindestens 3 mm ausgeführt sein.

2.3 Gebrauch

WARNUNG!

Verletzungs-, Verbrennungs- und Stromschlaggefahr.

- Nehmen Sie keine technischen Änderungen am Gerät vor.
- Entfernen Sie vor der ersten Inbetriebnahme alle Verpackungen, Kennzeichnungen und Schutzfolien (falls zutreffend).
- Vergewissern Sie sich, dass die Lüftungsöffnungen nicht blockiert sind.
- Lassen Sie das Gerät während des Betriebs nicht unbeaufsichtigt.
- Schalten Sie die Kochzone nach jedem Gebrauch auf „aus“.
- Legen Sie kein Besteck und keine Deckel auf die Kochzonen. Anderenfalls werden sie sehr heiß.
- Benutzen Sie das Gerät nicht mit nassen Händen oder wenn es in Kontakt mit Wasser gerät.
- Verwenden Sie das Gerät nicht als Arbeitsfläche und bringen Sie keine Lebensmittel direkt damit in Kontakt.

- Verwenden Sie das Gerät nicht als direkte Kochfläche. Zum Kochen muss immer geeignetes Kochgeschirr zum Einsatz kommen.
- Ist die Oberfläche des Geräts gesprungen, trennen Sie das Gerät sofort von der Stromversorgung, um einen Stromschlag zu verhindern.
- Wenn Sie Speisen in heißes Öl legen, kann es spritzen.
- Verwenden Sie keine Aluminiumfolie oder andere Materialien zwischen der Kochfläche und dem Kochgeschirr, sofern vom Hersteller dieses Geräts nicht anders angegeben.
- Verwenden Sie nur vom Hersteller empfohlenes Zubehör für dieses Gerät.

WARNUNG!

Brand- und Explosionsgefahr.

- Öle und Fette können beim Erhitzen brennbare Dämpfe freisetzen. Halten Sie Flammen oder erhitzte Gegenstände während des Kochens von Fetten und Ölen fern.
- Die Dämpfe, die heißes Öl freisetzt, können zu einer spontanen Verbrennung führen.
- Gebrauchtes Öl, das Speisereste enthalten kann, kann schon bei einer niedrigeren Temperatur einen Brand verursachen als Öl, das zum ersten Mal verwendet wird.
- Platzieren Sie keine entflammaren Produkte oder Gegenstände, die mit entflammaren Produkten benetzt sind, im Gerät, auf dem Gerät oder in der Nähe des Geräts.

WARNUNG!

Risiko von Schäden am Gerät.

- Lassen Sie heißes Kochgeschirr nicht auf dem Bedienfeld, um Verbrennungen zu vermeiden.
- Legen Sie keine heißen Topfdeckel auf die Glasoberfläche des Kochfeldes.
- Lassen Sie Kochgeschirr nicht leerkochen.
- Achten Sie darauf, dass keine Gegenstände oder Kochgeschirr auf das Gerät fallen. Die Oberfläche könnte beschädigt werden.

- Schalten Sie die Kochzonen nicht mit leerem Kochgeschirr oder ohne Kochgeschirr ein.
- Kochgeschirr aus Gusseisen, Aluminium oder mit einem beschädigten Boden kann Kratzer an dem Glas / der Glaskeramik verursachen. Heben Sie diese Gegenstände immer an, wenn Sie sie auf der Kochfläche bewegen müssen.

2.4 Reinigung und Pflege

- Reinigen Sie das Gerät regelmäßig, um eine Verschlechterung des Oberflächenmaterials zu verhindern.
- Schalten Sie das Gerät vor dem Reinigen aus und lassen Sie es abkühlen.
- Reinigen Sie das Gerät mit einem feuchten, weichen Lappen. Verwenden Sie ausschließlich Neutralreiniger. Verwenden Sie keine Scheuermittel, Scheuerschwämme, scharfe Reinigungsmittel oder Metallgegenstände, sofern nicht anders angegeben.

2.5 Wartung

- Wenden Sie sich zur Reparatur des Geräts an den autorisierten Kundendienst.

- Dabei dürfen ausschließlich Originalersatzteile verwendet werden.
- Bezüglich der Lampe(n) in diesem Gerät und separat verkaufter Ersatzlampen: Diese Lampen müssen extremen physikalischen Bedingungen in Haushaltsgeräten standhalten, wie z.B. Temperatur, Vibration, Feuchtigkeit, oder sollen Informationen über den Betriebszustand des Gerätes anzeigen. Sie sind nicht für den Einsatz in anderen Geräten vorgesehen und nicht für die Raumbelichtung geeignet.

2.6 Entsorgung

WARNUNG!

Verletzungs- und Erstickungsgefahr.

- Informationen zur Entsorgung des Geräts erhalten Sie von Ihrer Gemeindeverwaltung.
- Trennen Sie das Gerät von der Stromversorgung.
- Schneiden Sie das Netzkabel in der Nähe des Geräts ab, und entsorgen Sie es.

3. MONTAGE

WARNUNG!

Siehe Kapitel Sicherheitshinweise.

3.1 Anschlussart des Kochfelds und Backofens

Dieses Gerät hat einen orangenen 1x14-poligen Anschluss und kann an einen Backofen mit einem orangenen 1x14-poligen Anschluss angeschlossen werden.

3.2 Vor der Montage

Notieren Sie vor der Montage des Kochfelds folgende Daten, die Sie auf dem Typenschild finden. Das Typenschild ist auf dem Boden des Kochfelds angebracht.

Seriennummer

3.3 Einbau-Kochfelder

Installieren Sie zuerst den Backofen und setzen Sie dann das Kochfeld in die Aussparung.

Einbau-Kochfelder dürfen nur nach dem Einbau in normgerechte, passende Einbaumöbel und Arbeitsplatten betrieben werden.

Bei der Montage in brennbares Material sind die Normen NIN SEV 1000 sowie die Brandschutzrichtlinien und deren Verordnungen der Vereinigung kantonaler Feuerversicherungen zwingend einzuhalten.

3.4 Elektrischer Anschluss

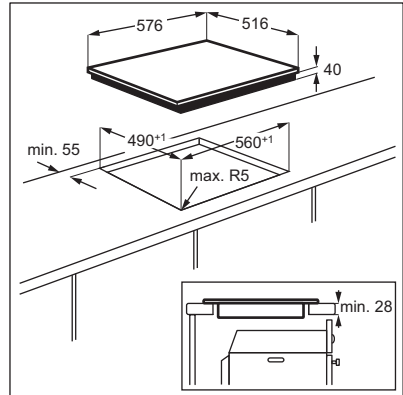
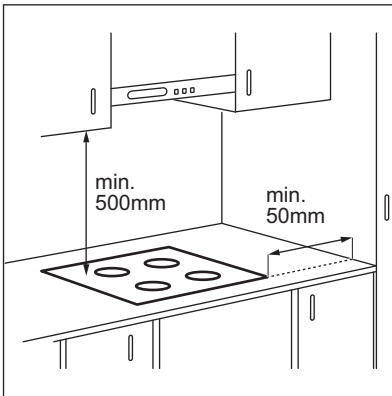
Installieren Sie das Kochfeld mit einer Steckdosenzuleitung. Wenn keine Steckdosenzuleitung vorhanden ist, muss die feste Hausstromanlage eine Trennvorrichtung

mit mindestens 3 mm Kontakten enthalten, um einen gleichzeitigen und allpoligen Netzabbruch (gemäß NIN SEV 1000) zu ermöglichen.

3.5 Aufbau


Behandeln Sie das Gerät während der Installation vorsichtig, um ein Verbiegen oder Beschädigungen des Rahmens zu vermeiden.

Wenn Sie das Kochfeld unter einer Dunstabzugshaube installieren, beachten Sie bitte die Montageanleitung der Dunstabzugshaube für den Mindestabstand zwischen den Geräten.



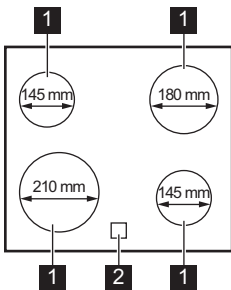
Sie finden das Video-Tutorial „So installieren Sie Ihr AEG Strahlungskochfeld - Arbeitsflächeninstallation“, indem Sie den vollständigen Namen eingeben, der in der folgenden Grafik angegeben ist.

 www.youtube.com/electrolux
www.youtube.com/aeg

How to install your AEG
 Radiant Hob - Worktop installation 

4. GERÄTEBESCHREIBUNG

4.1 Anordnung der Kochflächen



- 1 Kochzone
- 2 Restwärmeanzeige

5. TÄGLICHER GEBRAUCH

WARNUNG!

Siehe Kapitel Sicherheitshinweise.

5.1 Bedienen des Kochfeldes

Das Kochfeld wird mit den Knöpfen des Backofens bedient. Lesen Sie „Täglicher Gebrauch“ in der Bedienungsanleitung des Backofens.

5.2 Restwärmeanzeige

WARNUNG!

Solange die Anzeige leuchtet, besteht Verbrennungsgefahr durch Restwärme.

Die Anzeige erscheint, wenn eine Kochzone heiß ist, leuchtet aber nicht, wenn die Netzspannung ausgeschaltet ist.

Die Anzeige kann ebenso erscheinen:

- für die benachbarten Kochzonen, auch wenn Sie diese nicht benutzen,
- wenn heißes Kochgeschirr auf die kalte Kochzone gestellt wird,
- wenn das Kochfeld ausgeschaltet ist, aber die Kochzone noch heiß ist.

Die Anzeige erlischt, wenn die Kochzone abgekühlt ist.

6. HINWEISE UND TIPPS

WARNUNG!

Siehe Kapitel Sicherheitshinweise.

6.1 Kochgeschirr

- Um eine Überhitzung zu vermeiden und die Leistung der Kochzonen zu verbessern, muss das Kochgeschirr so dick und flach wie möglich sein.
- Stellen Sie sicher, dass der Boden des Kochgeschirrs sauber und trocken ist, bevor Sie es auf die Kochfläche stellen.

- Achten Sie immer darauf, das Kochgeschirr nicht an den Rändern und Ecken des Glases zu schieben oder zu reiben, da dies die Glasoberfläche beschädigen kann.



Kochgeschirr aus emailliertem Stahl oder mit Aluminium- oder Kupferböden kann Verfärbungen der Glaskeramikoberfläche verursachen.

7. REINIGUNG UND PFLEGE

WARNUNG!

Siehe Kapitel Sicherheitshinweise.

7.1 Allgemeine Informationen

- Reinigen Sie das Kochfeld nach jedem Gebrauch.
- Verwenden Sie stets Kochgeschirr mit sauberen Böden.
- Kratzer oder dunkle Flecken auf der Oberfläche beeinträchtigen die Funktionsfähigkeit des Kochfelds nicht.

- Verwenden Sie ein spezielles Reinigungsmittel, das für die Oberfläche des Kochfelds geeignet ist.
- Verwenden Sie immer einen Schaber, der für Kochfelder mit Glasoberfläche empfohlen wird. Verwenden Sie den Schaber nur als zusätzliches Werkzeug zur Reinigung des Glases nach dem Standardreinigungsverfahren.

⚠️ WARNUNG!

Verwenden Sie zum Reinigen der Glasoberfläche keine Messer oder andere scharfe Metallwerkzeuge.

7.2 Reinigen der Kochfelds

- **Sofort entfernen:** Geschmolzenen Kunststoff, Plastikfolie, Salz, Zucker und Lebensmittel mit Zucker, sonst kann der Schmutz das Kochfeld beschädigen. Achten Sie darauf, dass sich niemand Verbrennungen zuzieht. Den speziellen Reinigungsschaber schräg zur Glasfläche ansetzen und über die Oberfläche bewegen.

- **Entfernen, wenn das Kochfeld ausreichend abgekühlt ist:** Kalkringe, Wasserringe, Fettflecken, glänzende metallische Verfärbung. Reinigen Sie das Kochfeld mit einem feuchten Tuch und einem nicht scheuernden Reinigungsmittel. Wischen Sie das Kochfeld nach der Reinigung mit einem weichen Tuch trocken.
- **Entfernen Sie glänzende metallische Verfärbungen:** Benutzen Sie für die Reinigung der Glasoberfläche ein mit einer Lösung aus Essig und Wasser angefeuchtetes Tuch.

8. FEHLERBEHEBUNG

⚠️ WARNUNG!

Siehe Kapitel Sicherheitshinweise.

8.1 Was zu tun ist, wenn ...

Störung	Mögliche Ursache	Problembesehung
Das Kochfeld kann nicht eingeschaltet oder bedient werden.	Die Sicherung ist durchgebrannt.	Vergewissern Sie sich, dass die Sicherung die Ursache für die Störung ist. Brennt die Sicherung wiederholt durch, wenden Sie sich an eine qualifizierte Elektrofachkraft.
Die Restwärmeanzeige funktioniert nicht.	Die Kochzone ist nicht heiß, da sie nur kurze Zeit in Betrieb war oder der Sensor ist beschädigt.	Wenn die Kochzone lange genug betrieben wurde, um heiß zu sein, wenden Sie sich an ein autorisiertes Servicezentrum.

8.2 Wenn Sie keine Lösung finden ...

Wenn Sie das Problem nicht selbst lösen können, wenden Sie sich an Ihren Händler oder ein autorisiertes Servicezentrum. Geben Sie die Daten auf dem Typenschild an. Vergewissern Sie sich, dass Sie das Kochfeld

richtig bedient haben. Wenn nicht, ist die Wartung von einem Servicetechniker oder einem Händler nicht kostenlos, auch nicht während der Garantiezeit. Die Informationen über Garantiezeitraum und autorisierte Servicezentren finden Sie in der Servicebroschüre.

9. TECHNISCHE DATEN

9.1 Typenschild

Modell KFA58YHM

Produkt-Nummer (PNC) 949 598 653 00

Typ 60 AAD 02 ZO

Ser.-Nr.
AEG

220 - 240 V, 50 - 60 Hz
Hergestellt in: Deutschland

6.5 kW



9.2 Technische Daten der Kochzonen

Kochzone	Nennleistung (maximale Kochstufe) [W]	Durchmesser der Kochzone [mm]
Vorne links	2300	210
Hinten links	1200	145
Vorne rechts	1200	145
Hinten rechts	1800	180

Verwenden Sie für optimale Kochergebnisse kein Kochgeschirr, dessen Durchmesser größer als der der Kochzone ist.

10. ENERGIEEFFIZIENZ

10.1 Produktinformationen gemäß der Ökodesign-Richtlinie der EU

Modellbezeichnung	KFA58YHM	
Kochfeldtyp	Einbau-Kochfeld	
Anzahl der Kochzonen	4	
Heiztechnik	Strahlungsbeheizung	
Durchmesser der kreisförmigen Kochzonen (Ø)	Vorne links	21.0 cm
	Hinten links	14.5 cm
	Vorne rechts	14.5 cm
	Hinten rechts	18.0 cm
Energieverbrauch pro Kochzone (EC electric cooking)	Vorne links	185.8 Wh/kg
	Hinten links	185.8 Wh/kg
	Vorne rechts	185.8 Wh/kg
	Hinten rechts	191.2 Wh/kg
Energieverbrauch des Kochfelds (EC electric hob)	187.2 Wh/kg	

IEC / EN 60350-2 - Elektrische Kochgeräte für den Hausgebrauch - Teil 2: Kochfelder - Verfahren zur Messung der Leistung.

10.2 Energie sparen

Sie können Energie beim täglichen Kochen sparen, wenn Sie den folgenden Hinweisen folgen.

- Wenn Sie Wasser erhitzen, verwenden Sie nur die Menge, die Sie benötigen.

- Legen Sie nach Möglichkeit immer Deckel auf das Kochgeschirr.
- Stellen Sie das Kochgeschirr schon vor dem Einschalten auf die Kochzone.
- Der Boden des Kochgeschirrs sollte den gleichen Durchmesser wie die Kochzone haben.
- Stellen Sie das kleinere Kochgeschirr auf die kleineren Kochzonen.
- Stellen Sie das Kochgeschirr direkt in die Mitte der Kochzone.

- Nutzen Sie die Restwärme, um Speisen warm zu halten oder zum Schmelzen.

10.3 Produktinformationen für Stromverbrauch und maximale Zeit bis zum Erreichen des entsprechenden Energiesparmodus

Energieverbrauch im Aus-Zustand	0.3 W
Maximale Zeit, die das Gerät benötigt, um automatisch den entsprechenden Energiesparmodus zu erreichen	2 Min

11. GARANTIE

Kundendienst

Servicestellen		
Industriestrasse 10 5506 Mägenwil	Le Trési 6 1028 Préverenges	Via Violino 11 6928 Manno
Morgenstrasse 131 3018 Bern		
Langgasse 10 9008 St. Gallen		
Am Mattenhof 4a/b 6010 Kriens		
Schlossstrasse 1 4133 Pratteln		
Comercialstrasse 19 7000 Chur		




Ersatzteilverkauf Industriestrasse 10, 5506 Mägenwil, Tel. 0848 848 111


Fachberatung/Verkauf Buckhauserstrasse 40, 8048 Zürich, Switzerland, Tel. 044 405 82 44

Garantie Für jedes Produkt gewähren wir ab Verkauf bzw. Lieferdatum an den Endverbraucher eine Garantie von 2 Jahren. (Ausweis durch Garantieschein, Faktura oder

Verkaufsbeleg). Die Garantieleistung umfasst die Kosten für Material, Arbeits- und Reisezeit. Die Garantieleistung entfällt bei Nichtbeachtung der Gebrauchsanweisung und Betriebsvorschriften, unsachgerechter Installation, sowie bei Beschädigung durch äussere Einflüsse, höhere Gewalt, Eingriffe Dritter und Verwendung von Nicht-Original Teilen.

12. UMWELTBELANGE

Recyceln Sie Materialien mit dem Symbol . Entsorgen Sie die Verpackung in entsprechenden Recyclingbehältern. Recyceln Sie zum Umwelt- und Gesundheitsschutz elektrische und elektronische Geräte. Entsorgen Sie Geräte,

die mit dem Symbol  gekennzeichnet sind, nicht mit dem Hausmüll. Bringen Sie das Gerät zu Ihrer örtlichen Sammelstelle oder wenden Sie sich an Ihr Gemeindeamt.



Für die Schweiz:

Wohin mit den Altgeräten?

Überall dort wo neue Geräte verkauft werden oder Abgabe bei den offiziellen SENS-Sammelstellen oder offiziellen SENS-Recyclern.

Die Liste der offiziellen SENS-Sammelstellen findet sich unter www.erecycling.ch







aeg.com

701136542-B-492025



CE